

Material number	0 601 372 800
EAN	4059952528922
1 x dust adapter 2 600 306 007	✓
1 x paper dust bag available separately as set of 3: 2 605 411 067	✓
1 x sanding sheet multi-hole C470, Best for Wood + Paint, 120 available separately as set of 5: 2 608 608 X85	✓
Cardboard box	✓
Sanding pad (150 mm) 2 608 900 007	✓



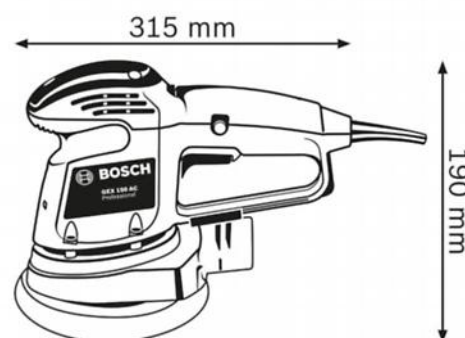
Technical data

Technical data

Sanding pad diameter	150 mm
No-load speed	4,500 – 12,000 rpm
Orbital stroke rate	9,000 – 24,000 opm
Eccentricity	2,00 mm
Rated input power	340 W
Weight	2,1 kg
Tool dimensions (width)	150 mm
Tool dimensions (length)	315 mm
Tool dimensions (height)	190 mm
Orbit diameter	4,0 mm
Voltage, electrical	230 V
Product category subdivision	Random Orbit Sander

Noise/vibration information

Sound pressure level	81 dB(A)
Sound power level	92 dB(A)
Uncertainty K	3 dB
Noise level	The A-rated noise level of the power tool is typically as follows: Sound pressure level 81 dB(A); Sound power level 92 dB(A). Uncertainty K= 3 dB.



Sales information

Positioning

- Robust random orbit sander with high removal rate in the 150-mm category

User benefit

- Constant speed and high removal rate for efficient results even on demanding surfaces
- Aluminium bearing flange ensures a long tool lifetime and makes it ideal for use on tough applications
- Speed preselection option enables use in multi-material applications